

Spun Press-On Collar

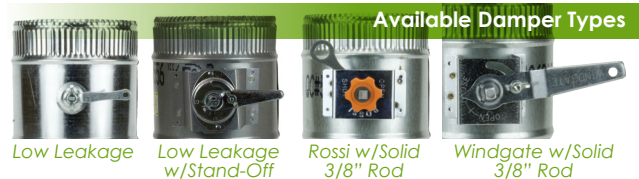


Technical Data

- GSI Collars are designed and tested to surpass SMACNA Class 3 Leakage Standards.*
- Pre-sealed with gasket made of EPDM rubber and proprietary co-polymer
- Zero VOCs
- Galvanized Steel (ASTM A653 and A924)
- Standard product is supplied in 26 GA, G-60 coating (ASTM A653 and ASTM A90)
- Available in Specialty Metals**:
 - G-90 Galvanized Steel
 - Aluminum (ASTM B209 Alloy 3003 Temper H14)
 - 304 Stainless Steel (ASTM A480 2B Finish)
- Pressure Rating: Designed per SMACNA Third Edition 2005 Section 4.8 Figure 4-6 Branch Connections
- Dimensional Tolerance: $\pm 1/4"$

* Test performed on standard fittings without dampers

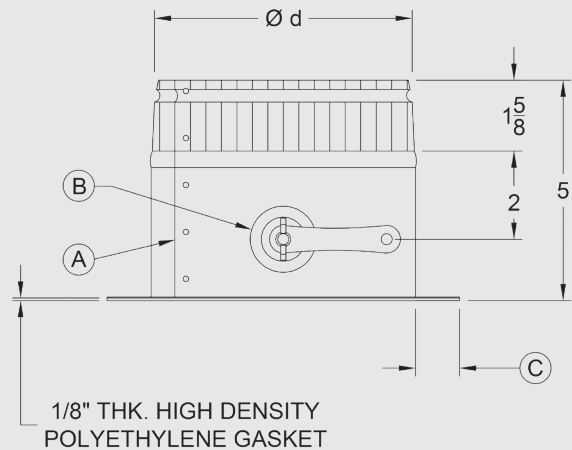
** 2 piece collar provided on Aluminum and Stainless Steel.



Product Availability

Size (Ød)*	Gauge Availability		Quantity	
	26 Ga.	24 Ga.	Carton	Skid
4"	Yes	-	25	300 - 45x45
5"	Yes	Yes	25	300 - 45x45
6"	Yes	Yes	20	240 - 45x45
7"	Yes	Yes	20	240 - 45x45
8"	Yes	Yes	20	240 - 45x45
9"	Yes	Yes	10	120 - 45x45
10"	Yes	Yes	10	120 - 45x45
12"	Yes	Yes	10	120 - 48x48
14"	Yes	Yes	5	60 - 45x45
16"	Yes	Yes	5	60 - 45x45
18"	Yes	Yes	5	60 - 45x45
20"	Yes	Yes	2	24 - 45x45

Dampened fittings are available with 2" Stand-Off. See Damper Hardware options on pages 27-30.



1/8" THK. HIGH DENSITY POLYETHYLENE GASKET

- A. Collars now come standard with sealed joints! The riveted seam is sealed with the GreenSeam integral gasket. Unsealed fittings are available upon request.
- B. Non-dampened Collars are supplied with a 3/8" knock-out. Dampened Collars are supplied with 24GA. damper blades and GSI's proprietary low-leakage hardware. See Page 27.
- C. 7/8" flange for 4" and 5" collars. 1" flange for 6" and larger collars.

Part Number Schematic

Example: **6POS15CR10GA26**D38** = Spun Press-on Collar for 10" Pipe in 26Ga. Galv. Steel, with a Solid Rod Damper and 1 1/2" Stand-Off

S	6	PO	S2	C	R	10	GA	26	D	C
Scoop (Opt.)	Collar Length	Press-On Start Collar	Stand-Off S2 - 2" (Opt. on Dampers Only)	End C - Crimped (Std.)	Riveted	Collar Diameter (Ød)	Material GA-Galvanized (Std.) AL - Aluminum S4 - 304 S.S	Gauge GA - 28, 26, 24 AL - 32 S4 - 26	Damper (Opt.)	Windgate hardware 38 Rossi hardware (Opt. on Dampers Only) See Damper Hardware options on pages 27-30

** Add 90 for G90 Galvanized Coating

Items in green denote other available features

Check with your sales representative for availability of any size, gauge, or specialty metal item not shown here.