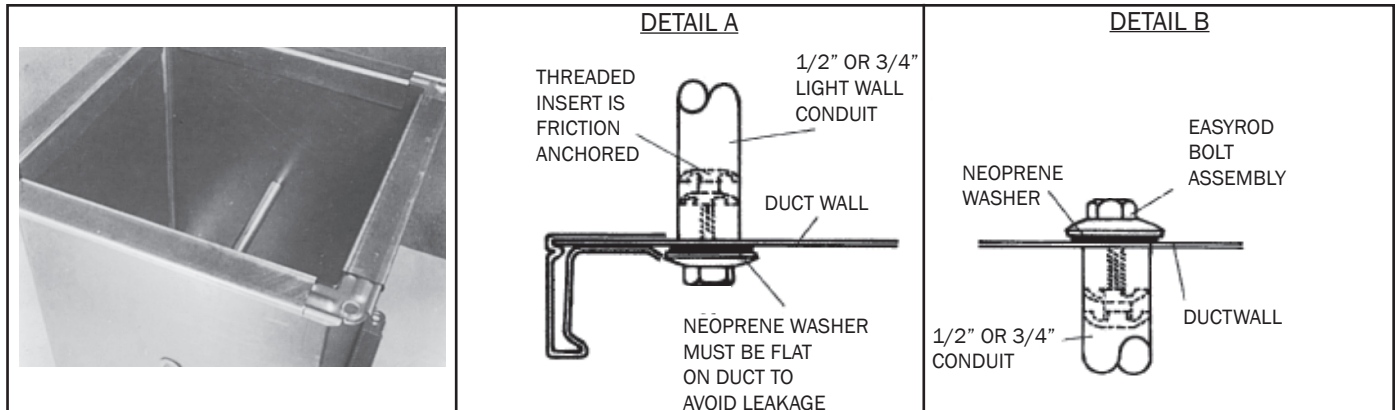


EASYROD TIE ROD CONSTRUCTION



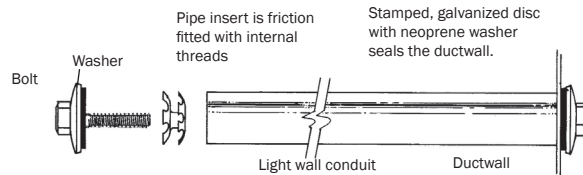
TIE ROD CONSTRUCTION HARDWARE/EASYROD

A simple, strong component system to make the installation of tie rods faster. Can be used for both positive and negative pressure.



NEW MAGNETIC TIE ROD ANCHOR SET

Innovative device to help install the bolt anchor into pipe. Heavy cast steel with magnetic tip insures a fast, strong friction fit.



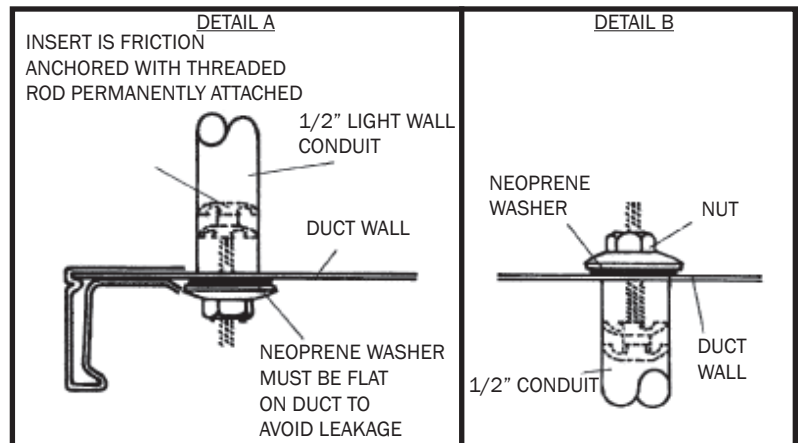
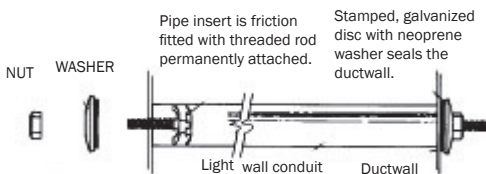
- Pull out strength of 600 lbs for 1/2" and 900 lbs for 3/4"
- Quickly inserts into ductwork
- Can be used for both Positive and Negative pressure

PART NO.	DESCRIPTION	PACKING UNIT	UNIT WEIGHT
EZ50	BOLT, WASHER, INSERT FOR 1/2" EMT CONDUIT	250 SETS	9 LBS (4.1 KG)
EZ75	BOLT, WASHER, INSERT FOR 3/4" EMT CONDUIT	250 SETS	10 LBS (4.5 KG)
EZTOOL	MAGNETIC TIE ROD ANCHOR SET	1 EA.	2 LBS (.9 KG)

EASYSTUD TIE ROD CONSTRUCTION



- Pull out strength of 600 lbs
- Can be easily installed by one person
- Quickly inserts into ductwork
- Can be used for both Positive and Negative pressure



PART NO.	DESCRIPTION	PACKING UNIT	UNIT WEIGHT
ES50	INSERT WITH THREADED ROD ATTACHED, WASHER, NUT, FOR 1/2" EMT CONDUIT	250 SETS	10.5 LBS (4.1 KG)
ESTOOL	INSERTER TOOL FOR EASYSTUD	1 EA	2 LBS (.9 KG)