

Press-On Saddle Tap



Technical Data

- GSI Press-on Saddle Taps are designed and tested to surpass SMACNA Class 3 Leakage Standards.*
- Pre-sealed with gasket made of EPDM rubber and proprietary co-polymer
- Zero VOCs
- Galvanized Steel (ASTM A653 and A924)
- Standard product is supplied in 26 GA, G-60 coating (ASTM A653 and ASTM A90)
- Available in Specialty Metals:
 - G-90 Galvanized Steel
 - Aluminum (ASTM B209 Alloy 3003 Temper H14)
 - 304 Stainless Steel (ASTM A480 2B Finish)
- Dimensional Tolerance: $\pm 1/4"$

* Test performed on standard fittings without dampers



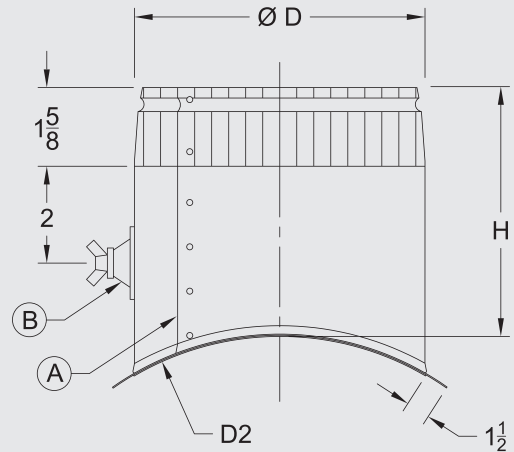
Available Damper Types

Product Availability

Collar Dia	Pipe Dia (D2)	H	Collar Dia	Pipe Dia (D2)	H
4"	6"	5 1/4"	10"	16" - 18"	5 1/4"
4"	8" - 10"	5 1/4"	10"	20" - 22"	5 1/4"
5"	7" - 9"	5 1/4"	12"	12"	7 3/4"
5"	10" - 12"	5 1/4"	12"	14" - 16"	7 3/4"
6"	6"	5 1/4"	12"	18" - 20"	7 3/4"
6"	7"	5 1/4"	12"	22" - 24"	7 3/4"
6"	8" - 10"	5 1/4"	14"	14"	7 3/4"
6"	12" - 14"	5 1/4"	14"	16" - 18"	7 3/4"
6"	16" - 18"	5 1/4"	14"	20" - 22"	7 3/4"
6"	20" - 22"	5 1/4"	14"	24" - 26"	7 3/4"
7"	10" - 12"	5 1/4"	16"	16"	7 3/4"
7"	14" - 16"	5 1/4"	16"	18" - 20"	7 3/4"
8"	8"	5 1/4"	16"	22" - 24"	7 3/4"
8"	10" - 12"	5 1/4"	18"	18"	7 3/4"
8"	14" - 16"	5 1/4"	18"	20" - 22"	7 3/4"
8"	18" - 20"	5 1/4"	18"	24"	7 3/4"
8"	22" - 24"	5 1/4"	20"	20"	7 3/4"
10"	10"	5 1/4"	20"	22" - 24"	7 3/4"
10"	12" - 14"	5 1/4"			

All Saddle Taps Available in 26 and 24 Gauge - 4" x 6" Only Available in 26 Ga.

Dampered Fittings are available with 2" Stand-Off. See Damper Hardware options on pages 27-30.



A. Saddle Taps now come standard with sealed joints! The riveted seam is sealed with the GreenSeam integral gasket. Unsealed fittings are available upon request.

B. Non-dampered Saddle Taps are supplied with a 3/8" knock-out. Dampered Collars are supplied with 24GA. damper blades and GSI's proprietary low-leakage hardware. See Page 27.

Part Number Schematic

Example: **STS268GA26**D38** = Press-On Saddle Tap with 6" takeoff designed to fit 8-10" range pipe in galvanized material with damper and 3/8" Rossi hardware

ST	S2	6	8*	GA	26	D	38
Press-On Saddle Tap	Stand-Off S2 - 2" (Opt. on Dampers Only)	Collar Diameter (Ød)	Pipe Diameter (D2) <i>* Use Smallest Size In Range</i>	Material GA-Galvanized (Std.)	Gauge GA - 28, 26, 24	Damper (Opt.)	Rossi hardware (Opt. on Dampers Only) See Damper Hardware options on pages 27-30

** Add 90 for G90 Galvanized Coating

Items in green denote other available features

Check with your sales representative for availability of any size, gauge, or specialty metal item not shown here.